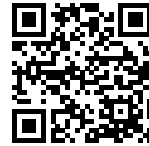


VERONA SATINEE

Mixer Taps

Code: R497 A00

MITIGEUR VERONA SATINEE



DETAILS

Texture Brushed in line

Material Brass

Rotating angle 360°

Strenghtening plate ø50mm

Cartrigde With ceramic discs

Mixer hole ø35mm

Rear encumbrance 35mm

Max worktop thickness 40 mm

Mixer type Single lever mixer tap with rotating barrel.

FEATURES

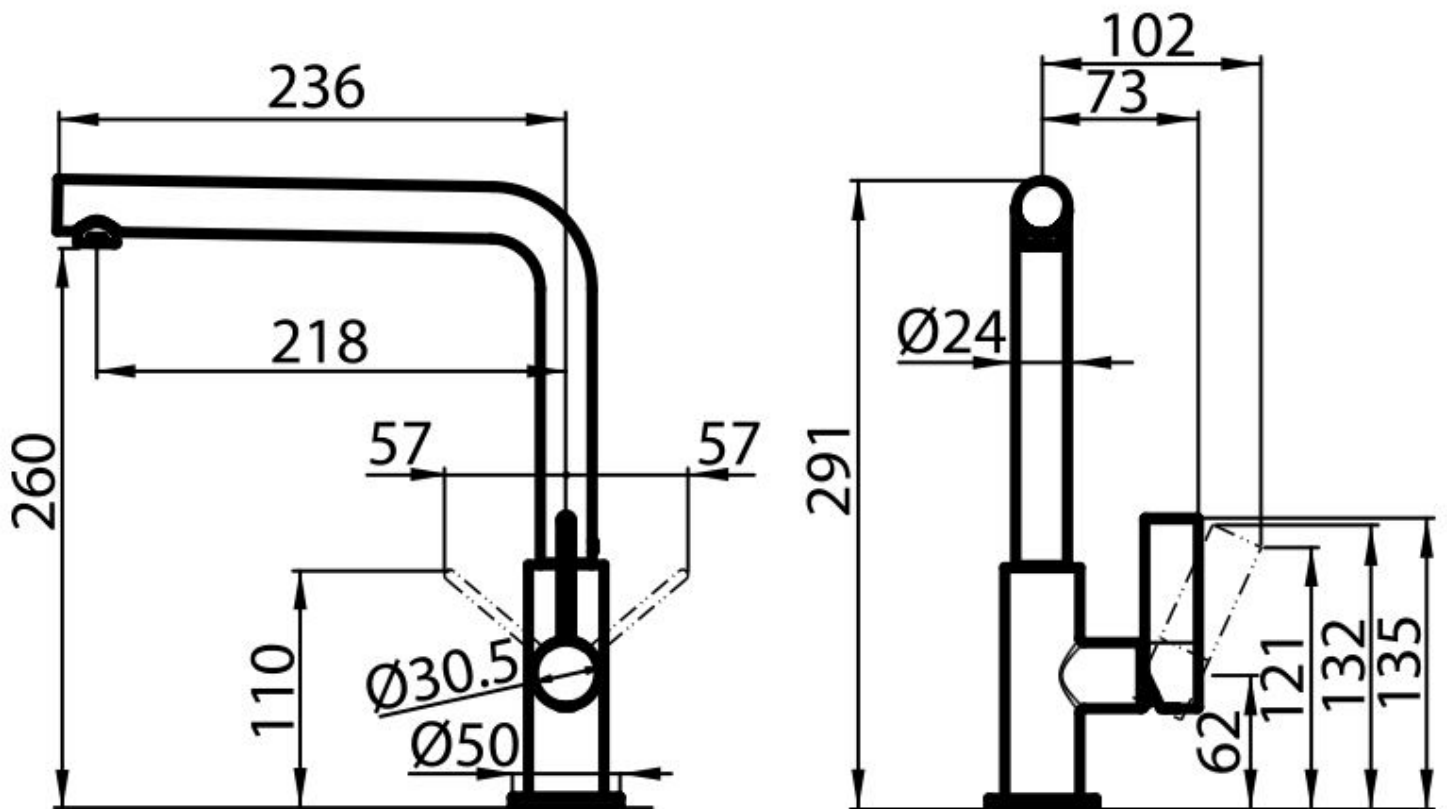
Rotating angle

All the taps have a wide angle of rotation. Some models even permit a full 360° rotation.

Strengthening plate

Foster's mixer taps are equipped with the strengthening plate that offers perfect stability on any sink.

TECHNICAL DATA



RECOMMENDED PAIRINGS



SAPONE SATINE
R520 A00